

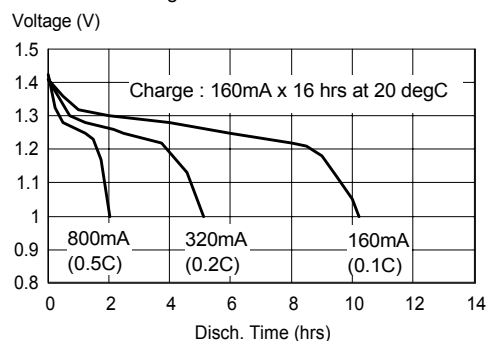
# GP Batteries

## Data Sheet

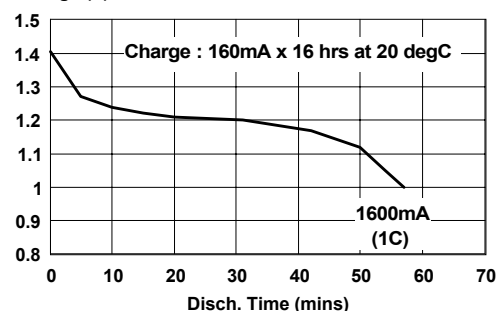
Model No.: GP160AFHT

Type	: High Temperature Rechargeable Nickel Metal Hydride Cylindrical Cell		
Nominal Dimension (with Sleeve)	: $\Phi = 17.0\text{mm}$ H = 43.0 mm		
Applications	: Recommended discharge current 160mA to 1600mA		
Nominal Voltage	: 1.2V		
Nominal Capacity	: Minimum : 1600 mAh Typical : 1680mAh when discharge at 320mA to 1.0V at 20°C		
Charging Condition	: 160mA for 16 hrs at 20°C		
Service Life	: >350 cycles (IEC 61951-2)		
Continuous Overcharge	: Comply with IEC61951-2 Permanent Charge Endurance Test		
Weight	: 33.0g		
Internal Resistance	: Average 21m $\Omega$ upon fully charged (Range 18-24m $\Omega$ ) at 1000Hz		
Max. Charging Voltage	: 1.5V at 160mA charging		
Ambient Temperature Range	Charging	:	0 to 70°C
	Discharging	:	-20 to 70°C
	Storage	:	-20 to 35°C
	Storage (1 week)	:	-20 to 60 °C

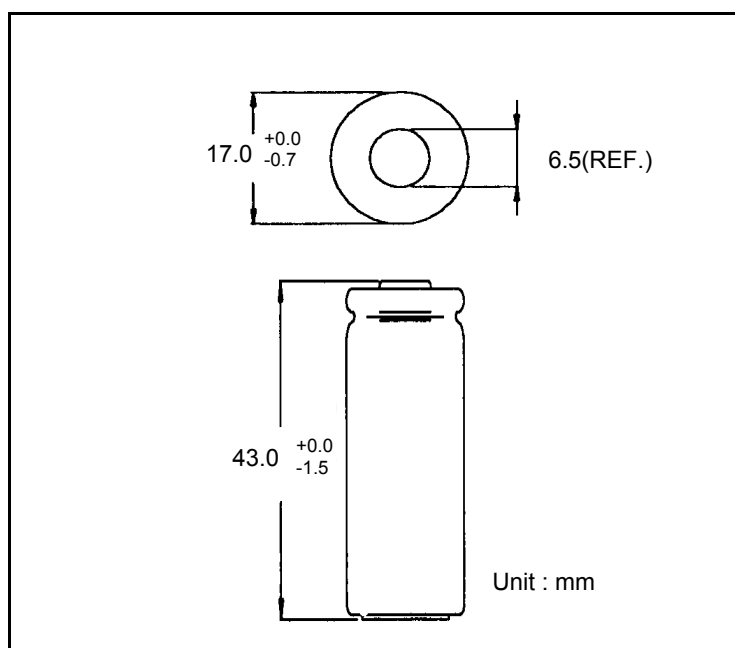
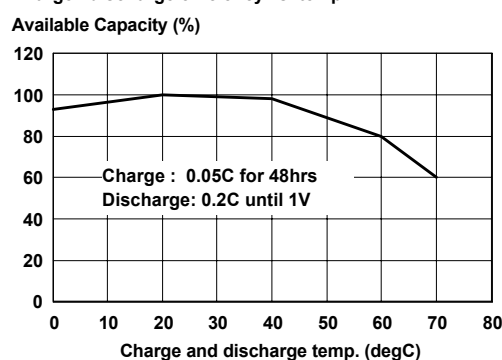
Low Rate Discharge



High Rate Discharge



Charge / discharge efficiency vs. temp.



\* The information (subject to change without prior notice) contained in this document is for reference only and should not be used as a basis for product guarantee or warranty. For applications other than those described here, please consult your nearest GP Sales and Marketing Office or Distributors.